

## Connection joints

### Technopolymer

#### MATERIAL

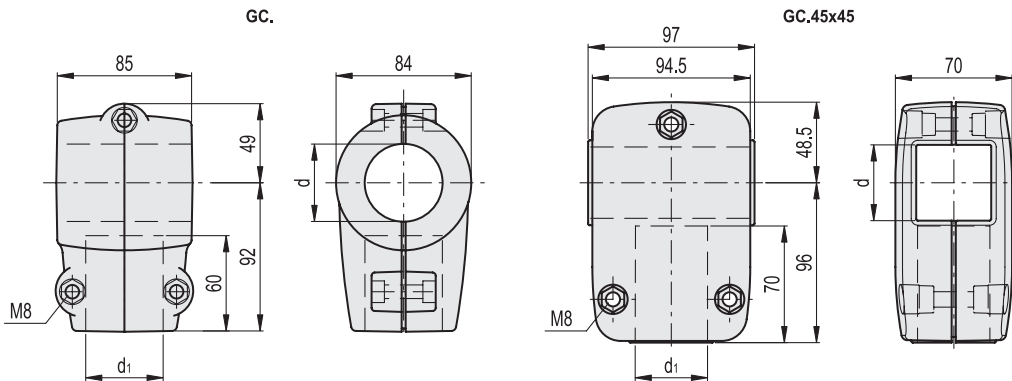
Glass-fibre reinforced polyamide based (PA) technopolymer, black colour, matte finish.

#### STANDARD EXECUTIONS

- **GC-A:** zinc-plated steel M8 cylindrical-head screws with hexagon socket and nuts.
- **GC-SST:** AISI 304 stainless steel M8 cylindrical-head screws with hexagon socket and nuts.

#### FEATURES

Maximum tightening torque for screw assembly 19 Nm.



#### GC.

Code	Description	d Tube (mm)	d Tube (GAS)	d1 Tube (mm)	d1 Tube (GAS)	△
419646	GC.42-42-A	42.4	1"1/4	42.4	1"1/4	410
419644	GC.48-42-A	48.3	1"1/2	42.4	1"1/4	400
419642	GC.48-48-A	48.3	1"1/2	48.3	1"1/2	390
419640	GC.60-42-A	60.3	2"	42.4	1"1/4	380
419638	GC.60-48-A	60.3	2"	48.3	1"1/2	370
419661	GC.45x45-A	45x45	-	45x45	-	387

#### GC-SST

**STAINLESS STEEL**

Code	Description	d Tube (mm)	d Tube (GAS)	d1 Tube (mm)	d1 Tube (GAS)	△
419647	GC.42-42-SST	42.4	1"1/4	42.4	1"1/4	410
419645	GC.48-42-SST	48.3	1"1/2	42.4	1"1/4	400
419643	GC.48-48-SST	48.3	1"1/2	48.3	1"1/2	390
419641	GC.60-42-SST	60.3	2"	42.4	1"1/4	380
419639	GC.60-48-SST	60.3	2"	48.3	1"1/2	370
419662	GC.45x45-SST	45x45	-	45x45	-	387